

## Heat pump for domestic hot water

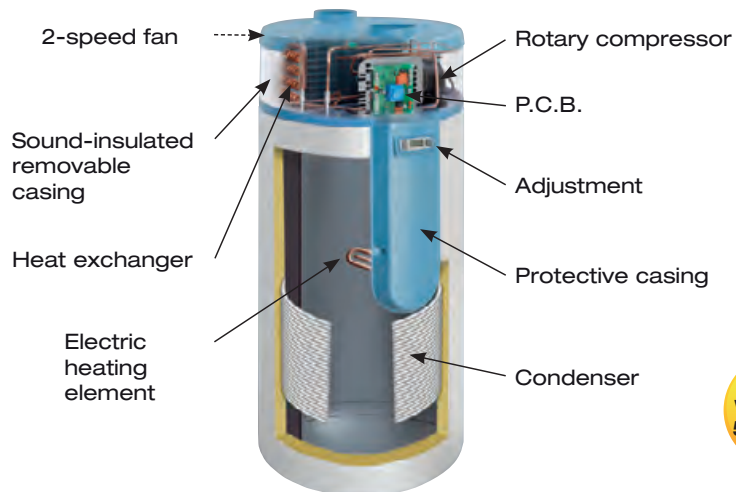


Heat pump for  
domestic hot water

# LIBERTY 300 - 300S



Liberty 300



TANK  
WARRANTY  
5 YEARS

WARRANTY  
for other parts  
2 YEARS

- **Thermodynamic water heater with integrated heat pump.**
- **Excellent COP: 3,7**
- **Cylinder capacity: 300 litres**
- **Max. temperature of hot water generated in Heating mode: 60°C**
- **Operation from - 5°C to + 35°C in thermodynamic mode (heat pump)**
- **Adjustable feet**



## Benefits

- **Refrigerant fluid R 134 A**
- **COP: 3,7**
- **Low noise level: 36 dBA**
- **Limited height: 1,570 mm**

- **Quality components:**

- Horizontal rotary compressor with sound insulation
- High-efficiency heat exchanger
- 2-speed pressure fan available
- Knock-resistant coating
- Electronic regulation is intuitive and simple (for users and assistance personnel alike)
- Thermostatic regulator
- Defrosting solenoid valve with hot gas
- High-pressure switch
- Temperature sensor for control and regulation
- Integrated electric heating element with safety thermostat
- Dryer filter
- Protective anode.

- **Enamelled steel tank**

- **Rustproof magnesium anode**

- **Other advantages:**

- Appliance can be ducted to recover heat from the air outdoors, up to 10 m of ducting can be used (flow and return)

- **Regulation operating mode:**

- "Eco" mode (Thermodynamic heating),
- Turbo mode (forces the heating element for faster thermodynamic heating + heating element),
- Day/Night hourly programming,
- Holiday programming,
- Load disconnection,
- Dry contact for fan control (e.g. hygrostat),
- Anti-Legionella cycle can be programmed.

- **Complementary 1.5 kW electric module functions:**

- It begins operating to guarantee a minimum DHW temperature between 38°C and 43°C
- It begins operating when the outdoor temperature is outside the operating interval,
- It begins operating in the event of a malfunction,
- It begins operating when the user selects Turbo mode.

- The appliance is easy to transport and to install because it is not very tall
- Adjustable feet
- Pipe accessories

MODEL	LIBERTY 300		LIBERTY 300S	
Code	ECS300T5Z		ECS300SOLT5Z	
Volume	litres	<b>300</b>		
D.H.W. temperature		between 15 and 60°C		
Sound pressure at 2 m	dBA	36		
Average heat pump power at 60°C*	kW	1,65		
Average heat pump consumption at 60°C*	kW	0,67		
COP		<b>3,7</b>		
Air flow rate - Speed 1/Speed 2	m3/h	300 / 450		
Compressor		rotary		
Refrigerant fluid		R 134 A		
Armoured electric heating element	kW	1,5		
Protection		16 A differential 30 mA		
Max. length of Flow / Return pipes	m	10		
Pipe connection diameter	mm	160		
Condensate connection diameter	mm	12/16		
Mains water connection diameter	inches	M 3/4		
Quantity of mixed water (l/1st hour)	litres	440		
Diameter	mm	700		
Height (without pipes)	mm	1.570		
Weight when empty	kg	107		

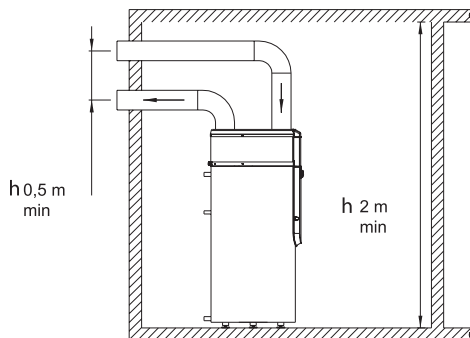
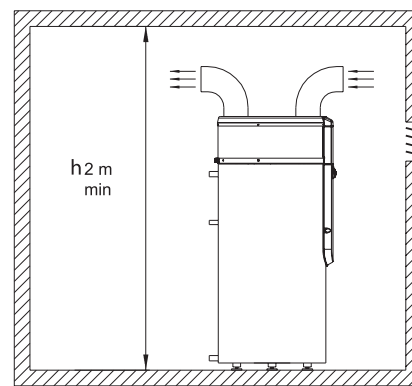
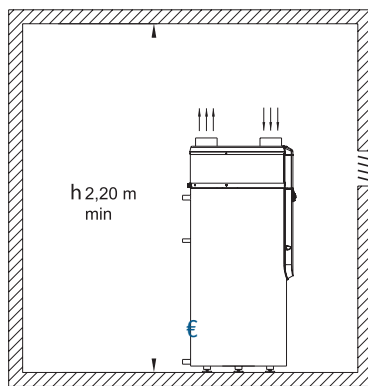
\* in compliance with standard EN355-3

## Accessories

Type	Code
90° elbow - diameter 160 mm	K 70 N 135 T
Silencer with hose, diameter 160 mm	K 70 N 136 T

## Installation

- The thermodynamic water heater “LIBERTY 300” can be installed as a non-ducted unit in rooms with a surface area of  $> 20 \text{ m}^2$ , or can be ducted outdoors (see technical documentation for the various configurations).



The thermodynamic water heater “LIBERTY 300” from Technibel can be used to complete heating systems fitted with a Technibel heat pump at any time

## Reducing

### Reducing emissions and saving money

Less CO<sub>2</sub> and a saving of up to 70% “LIBERTY 300” from Technibel reduces your electricity bills.

